

Signet 3-0250 USB to Digital (S³L) Configuration / Diagnostic Tool



Features

- User-friendly interface
- Configure blind sensors
- Configure all modifiable parameters in the sensor
- Monitor sensor data or log sensors data to a file
- Monitor mV and Temperature reading in pH/ORP sensors
- Graph sensor data
- Red and Blue LED indicators for power and data transmission
- 6 ft USB extension cable

Description

The new 3-0250 USB to (S³L) configuration/diagnostic tool interfaces with Signet's various digital sensors to allow users to select all parameters available for modification, monitor

the sensor's data on the PC/Laptop, or log the sensor's data to a file. Multi-language Software in English, German, French, Italian, Portuguese and Spanish.

System Overview

Modifiable Parameters

2250, 2350, 2450, 2750:

- Modify 4 mA and 20 mA Set Points
- Select units and Specific Gravity (2250 only) for improved accuracy and to eliminate the need for additional calculations.

2551 and 2552:

- Unit Selection
- 4 mA and 20 mA Set Points
- Low-Flow Cut-Off
- Quick Response Sensitivity
- Averaging Time
- Noise Rejection Frequency

Control Functionality

- Read the parameters from the sensor and display on the screen
- Write new settings on the screen to the sensor
- Load a previously saved configuration
- Save new settings to a file
- Restore parameters to Factory Settings

Graphing Functionality

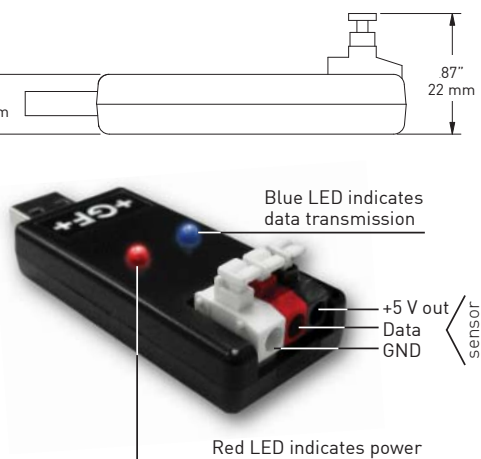
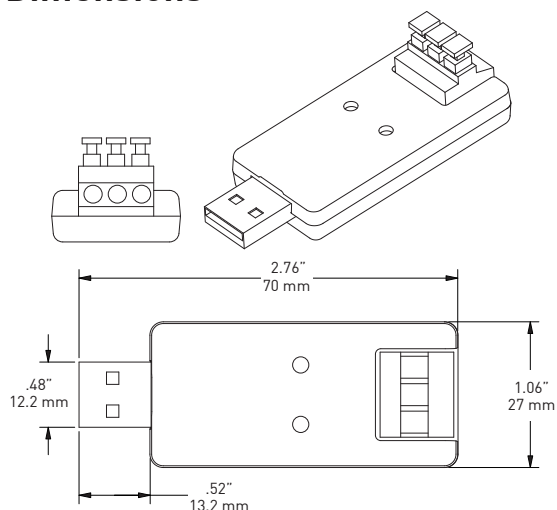
- Monitor sensor data on screen.
- Log sensor data to a file.
- Start, Stop, and Resume monitoring/logging.
- Set Monitor/Logging Time in seconds: 1 to 86400 (24 hours)
- Primary values such as Level, Temperature, pH, ORP, Flow Rate/Velocity, are displayed/logged.
- Additional values such as Temperature and mV for pH are also displayed. The mV reading can allow users to monitor the life of a pH/ORP electrode.

Compatibility

- 2250 Hydrostatic Level Sensor
- 2350 Temperature Sensor
- 2450 Pressure Sensor
- 2750 DryLoc[®] pH/ORP Sensor Electronics
- 2551 Magmeter Flow Sensor
- 2552 Metal Magmeter Flow Sensor



Dimensions



* for wiring reference please see manual

Specifications

Materials:

- ABS Body

Power Requirements

- Supplied by USB port on PC/Laptop

Inputs

- 3-wire (S³L) input

Output Specifications

- USB 1.0, 2.0

Standards and Approvals

- CE
- RoHS compliant

Ordering Information

Model 0250 USB (S ³ L) Configuration/Diagnostic Tool	
Mfr. Part No.	Code
3-0250	159 001 538