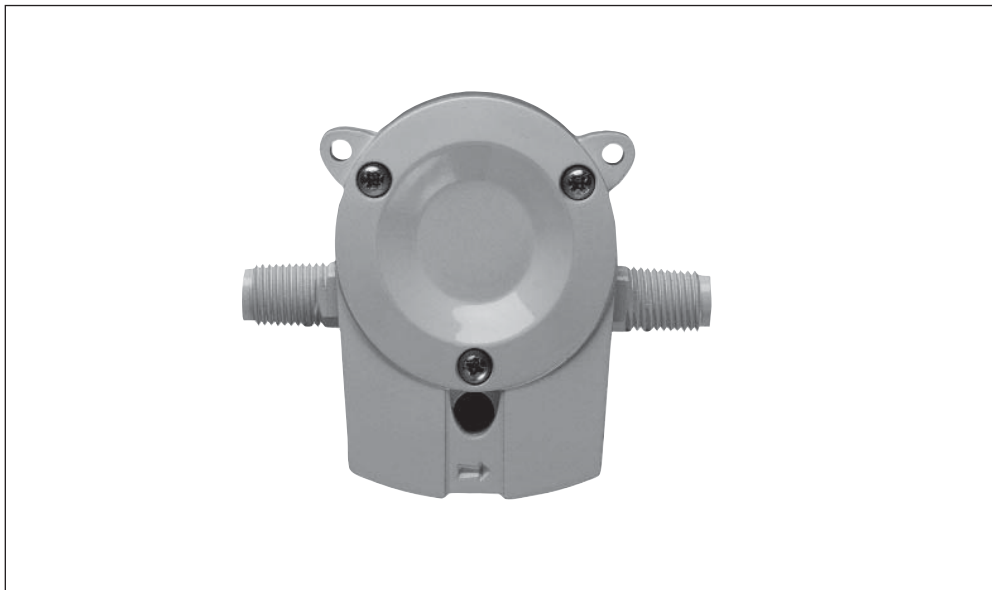


Signet 2000 MicroFlow Rotor Sensor



Features

- Operating range
0.11 to 12.11 lpm
(0.03 to 3.2 U.S. gpm)
- Simple mounting
- ¼ in. NPT or ISO threads
for simple pipe or tubing
connection
- Measures opaque and
transparent liquids
- Low pressure drop
- Standard cable
7.6 m (25 ft)

Description






The Signet 2000 MicroFlow Rotor Sensor is constructed of Polyphenylene Sulfide (PPS) which provides high material strength. The 2000 offers two flow ranges starting at 0.11 or 1.13 lpm (0.03 or 0.3 gpm), for clean process liquids, regardless of fluid color or opacity.

This sensor can be connected to flexible tubing or rigid pipe, and uses standard hardware for mounting. Only one moving part and a low pressure drop across the sensor reduces operating costs and maintenance requirements.

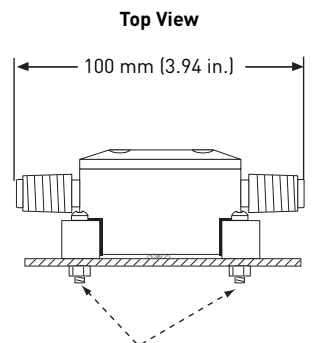
Applications

- Coolant Flow
- Dosing
- Batch Dispensing
- Not recommended for
Strong Oxidizers

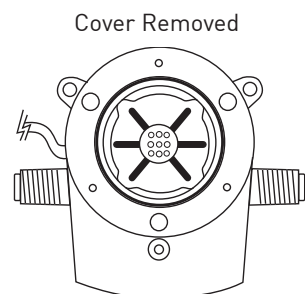
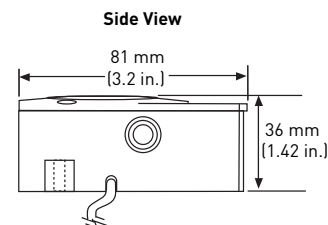
System Overview

<p>Panel Mount Signet Flow Instrument (sold separately) 5075 8550 5500 8900 5600</p> 	<p>Pipe, Tank, Wall Mount Signet Flow Instrument (sold separately) 8550</p>  <p>Signet Universal Adapter Kit (3-8050) (sold separately)</p> 
<p>Signet 2000 Flow Sensor</p> 	
<p>Flexible tubing or rigid pipe (customer supplied)</p> 	

Dimensions



Mounting tabs for metric M3 or standard #6 screws on 68 mm (2.68 in.) bolt circle



Application Tips

- For use in clean fluids - no suspended solids.
- Use the mounting tabs to secure the sensor to a flat surface, $\pm 30^\circ$.
- Verify chemical compatibility before installation.

Please refer to **Wiring, Installation, and Accessories** sections for more information.

Specifications

General

Operating Range:

- -11 & -12 version:
0.11 to 2.6 lpm (0.03 to 0.7 U.S. gpm)
- -21 & -22 version:
1.13 to 12.11 lpm (0.3 to 3.2 U.S. gpm)

Linearity: $\pm 1.2\%$ of full range

Repeatability: $\pm 0.5\%$ of full range

Connections: $\frac{1}{4}$ in. NPT (male) or ISO 7/1 - R1/4 (male)

Wetted Materials

- Sensor body and cover:
40% glass filled Polyphenylene Sulfide (PPS)
- Rotor: PEEK™, natural, unfilled
- Cover O-ring: FPM

Electrical

Power:

5 to 24 VDC $\pm 10\%$, regulated, 10 mA max.

Output Type:

Open-collector, sinking, 10 mA max.

Cable Length: 7.6 m (25 ft), can be extended up to 300 m (1000 ft)

Cable Type:

2-conductor twisted pair w/shield, 22 AWG

Max. Temperature/Pressure Rating

0 °C to 80 °C @ 5.5 bar max.

(32 °F to 176 °F @ 80 psi max.)

See Temperature and Pressure Graphs for more information

Shipping Weight 0.3 kg 0.7 lb

Standards and Approvals

- Manufactured under ISO 9001 for Quality and ISO 14001 for Environmental Management

Ordering Information

Sensor Part Number		
3-2000	MicroFlow rotor flow sensor	
↓	Flow Range	
	1	Low flow, 0.11 to 2.61 lpm (0.03 to 0.7 gpm)
	2	High flow, 1.13 to 12.11 lpm (0.3 to 3.2 gpm)
	End Fittings	
	1	$\frac{1}{4}$ NPT threads
	2	ISO 7/1-R1/4 threads
3-2000	-1	↓ 1 Example Part Number

Mfr. Part No.	Code	Mfr. Part No.	Code
3-2000-11	198 822 000	3-2000-21	198 822 002
3-2000-12	198 822 001	3-2000-22	198 822 003

Accessories and Replacement Parts

Mfr. Part No.	Code	Description
3-2000.390	159 000 248	Replacement rotor kit
1220-0029	198 820 049	Cover O-ring
2450-0620	198 820 051	Cover screw
5523-0222	159 000 392	Cable (per foot), 2 cond. w/shield, 22 AWG
3-8050-1	159 000 753	Universal junction box