

Signet 2537 Paddlewheel Flow Sensor



Description

The Signet 2537 Flow Sensor is the next generation in fluid measurement technology from the inventor of the original paddlewheel flowmeter. This sensor is an improvement on what's already an industry standard. It has the added functionality of various output options including flow switch, multi-functional pulse, digital (S³L) or 4 to 20 mA. Additionally, it offers low flow, low power and high resolution and can be configured on-site directly through the built-in user interface. Installation is simple because the

Signet 2537 utilizes the same fittings as the popular Signet 515 and 2536 Paddlewheel Sensors and fits into pipe sizes ranging from DN15 to DN200 (½ to 8 inches). Available in Polypropylene and PVDF, it is ideal for a variety of applications including chemical processing, water and wastewater monitoring and scrubber control.

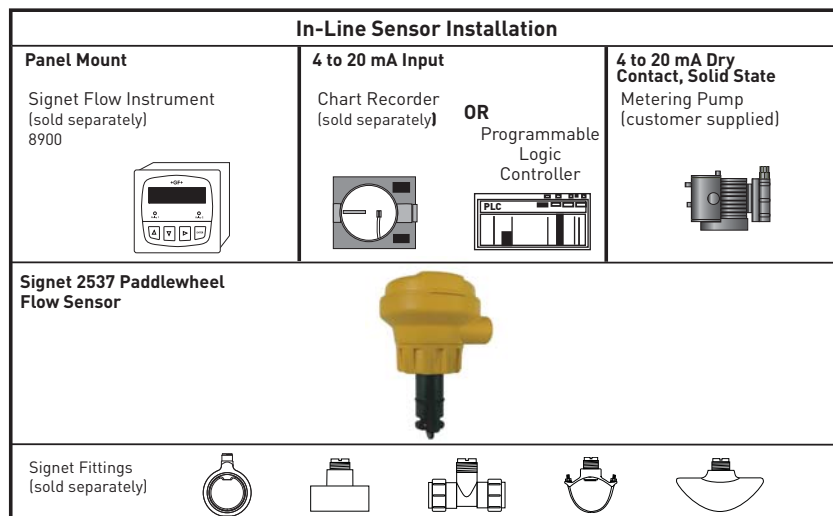
Features

- Digital (S³L), or 4 to 20 mA outputs, or Flow Switch, or Pulse output (multi-function)
- Allows for up to six sensors to Signet 8900 Controller
- Low flow capabilities down to 0.1m/s (0.3 ft/s)
- Polypropylene or PVDF sensor bodies
- Installs into pipe sizes DN15 to DN200 (½ to 8 in.)
- Test certificate included for -X0, -X1
- Low power and high resolution

Applications

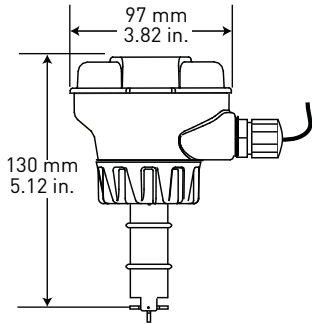
- Process Flow Monitoring
- Pump Protection
- Pure Water Production
- Filtration Systems
- Chemical Production
- Reverse Osmosis
- Demineralization/Regeneration
- Fume Scrubbers
- Cooling Towers
- Proportional Metering Pump

System Overview

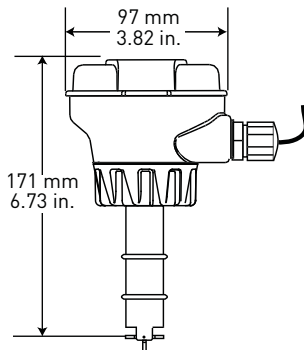


Dimensions

2537 Paddlewheel Flow Sensor for ½ in. to 4 in. pipe



2537 Paddlewheel Flow Sensor for 5 to 8 in. pipe



Specifications

General

- Operating Range:
 0.1 m/s to 6 m/s (0.3 ft/s to 20 ft/s)
- Linearity:
 ±1% of max. range @ 25 °C (77 °F)
- Repeatability:
 ±0.5% of max. range @ 25 °C (77 °F)
- System Response:
 100 ms update rate nominal

Wetted Materials

- Sensor Body:
 Glass-filled PP (black) or PVDF (natural)
- O-rings:
 FPM (std)
 optional EPR (EPDM) or FFPM
- Rotor Pin:
 Titanium, Hastelloy-C or PVDF;
 optional Ceramic, Tantalum or
 Stainless Steel
- Rotor:
 Black PVDF or Natural PVDF; optional
 Tefzel®, with or w/o Fluoroloy G® sleeve
 for rotor pin

Electrical

- Pulse Version:
- With dry-contact relay:
 24 VDC regulated, ±10%, regulated
 30 mA max current
 - With solid-state relay:
 5 to 24 VDC nominal, ±10%, regulated
 30 mA max current
 - Maximum Pulse Rate: 300 Hz
 - Maximum Pulse Width: 50 ms
 - Compatible with PLC, PC or similar
 equipment
- Flow Switch Version:
- With dry-contact relay:
 24 VDC regulated, ±10%, regulated
 30 mA max current
 - With solid-state relay:
 5 to 24 VDC nominal, ±10%, regulated
 30 mA max current
 - Compatible with customer supplied
 metering pump
- Digital (S³L) Version:
- 5 VDC nominal, ±10%, regulated
 3 mA max current
 - Type: Serial ASCII, TTL level 9600 bps
 - Max. Cable Length: Refer to Signet
 8900 wiring specifications.
 - Compatible with Model Signet 8900
 controller

Electrical (continued)

- 4 to 20 mA Version:
- 12 VDC to 32 VDC nominal,
 ±10%, regulated
 21 mA max current
 - Loop Accuracy:
 ±32 µA @ 25 °C @ 24 VDC)
 - Loop Resolution: 5 µA
 - Temp. Drift: ±1 µA per °C max.
 - Power Supply Rejection: ±1 µA per V
 - Max. Cable: 300 m (1000 ft)
 - Maximum Loop Resistance:
 600 Ω @ 24 VDC
 1 KΩ @ 32 VDC
 - Load impedance 375 Ω
- Reverse Polarity and short circuit
 protected:
- Up to 40 V, 1 hour
- Over-voltage protection:
- > 40 VDC over 1 hour
- Relay Specifications
- Mechanical SPDT:
 5 A @ 30 VDC, 5 A @ 250 VAC
 - Solid-State Relay:
 100 mA @ 40 VDC, 70 mA @ 33 VAC
 - Relay Modes: Low, High
 - Time Delay: 0.0 to 6400.0 seconds
 - Hysteresis: Adjustable for exiting
 alarm condition

Max. Temperature/Pressure Rating

- Storage Temperature:
 -10 °C to 75 °C (14 °F to 167 °F)
- Operating Temperature:
 0 °C to 65 °C (32 °F to 149 °F)
- Relative Humidity:
 0 to 90%, non-condensing

Flow Sensor

- PP: 12.5 bar @ 20 °C, 1.7 bar @ 85 °C
 (180 psi @ 68 °F, 25 psi @ 185 °F)
 - PVDF: 14 bar @ 20 °C, 1.7 bar @ 85 °C
 (200 psi @ 68 °F, 25 psi @ 185 °F)
- Operating Temperature:
- PP: -18 °C to 85 °C (0 °F to 185 °F)
 - PVDF: -18 °C to 85 °C (0 °F to 185 °F)

Environmental

Enclosure: NEMA 4X/IP65

Standards & Approvals

- CE
- UL, CUL
- Manufactured under ISO 9001
 for Quality and ISO 14001 for
 Environmental Management

Ordering Information

Sensor Part Number - Choose One					
3-2537	Paddlewheel Flow Sensor				
↓	Sensor Output Type				
	-1	Pulse Divider via Dry Contact Relay			
	-2	Pulse Divider via Solid-State Relay			
	-3	Flow Switch via Dry-Contact Relay			
	-4	Flow Switch via Solid-State Relay			
	-5	Digital (S ³ L) output			
	-6	4 to 20 mA output			
	↓	C	Integral Mount (8512 sensors)		
		Material Options			
		-P	Polypropylene body, black PVDF rotor, Titanium pin, FPM O-rings		
		-T	Natural PVDF body, rotor and pin, FPM O-rings		
		Pipe Size			
	↓	0	DN15 to DN100 (½ to 4 inch)		
1		DN125 to DN200 (5 to 8 inch pipes)*			
3-2537	-1	C	-P	0 Example Part Number	

*PVDF available ½ in. to 4 in. only

Mfr. Part No.	Code	Mfr. Part No.	Code
3-2537-1C-P0	159 001 291	3-2537-4C-P1	159 001 306
3-2537-2C-P0	159 001 292	3-2537-5C-P1	159 001 307
3-2537-3C-P0	159 001 293	3-2537-6C-P1	159 001 308
3-2537-4C-P0	159 001 294	3-2537-1C-T0	159 001 315
3-2537-5C-P0	159 001 295	3-2537-2C-T0	159 001 316
3-2537-6C-P0	159 001 296	3-2537-3C-T0	159 001 317
3-2537-1C-P1	159 001 303	3-2537-4C-T0	159 001 318
3-2537-2C-P1	159 001 304	3-2537-5C-T0	159 001 319
3-2537-3C-P1	159 001 305	3-2537-6C-T0	159 001 320

Application Tips

- Select PVDF Rotor Pin for use in Deionized Water.
- Use a sleeved rotor in abrasive liquids to reduce wear.
- Sensor plug is used to plug installation fitting after extraction of sensor from pipe.
- For liquids containing ferrous particles, use Signet Magmeters.
- For systems with components of more than one material, the maximum temperature/pressure specification must always be referenced to the component with the lowest rating.

Please refer to
Wiring, Installation,
and Accessories
sections for more
information.

Accessories and Replacement Parts

Mfr. Part No.	Code	Description
Rotors		
3-2536.320-1	198 820 052	Rotor, PVDF Black
3-2536.320-2	159 000 272	Rotor, PVDF Natural
3-2536.320-3	159 000 273	Rotor, Tefzel®
3-2536.321	198 820 054	Rotor and pin (matched set), PVDF Natural
3-2536.322-1	198 820 056	Sleeved rotor, PVDF Black
3-2536.322-2	198 820 057	Sleeved rotor, PVDF Natural
3-2536.322-3	198 820 058	Sleeved rotor, Tefzel®
Rotor Pins		
M1546-1	198 801 182	Pin, Titanium
M1546-2	198 801 183	Pin, Hastelloy-C
M1546-3	198 820 014	Pin, Tantalum
M1546-4	198 820 015	Pin, Stainless Steel
P51545	198 820 016	Pin, Ceramic
O-Rings		
1220-0021	198 801 186	O-ring, FPM (2 required per sensor)
1224-0021	198 820 006	O-ring, EPR (EPDM) (2 required per sensor)
1228-0021	198 820 007	O-ring, FFPM (2 required per sensor)
Miscellaneous		
P31536	198 840 201	Sensor plug, Polypropylene
3-8050.396	159 000 617	RC Filter kit (for relay use)
3-9000.392-1	159 000 839	Liquid tight connector kit, NPT (1 piece)
3-9000.392-2	159 000 841	Liquid tight connector kit, PG13.5 (1 piece)
7300-7524	159 000 687	24 VDC power supply 7.5W, 300 mA
7300-1524	159 000 688	24 VDC power supply 15W, 600 mA
7300-3024	159 000 689	24 VDC power supply 30W, 1.3 A
7300-5024	159 000 690	24 VDC power supply 50W, 2.1 A
7300-1024	159 000 691	24 VDC power supply 100W, 4.2 A