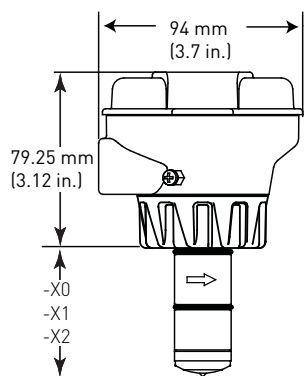


Dimensions

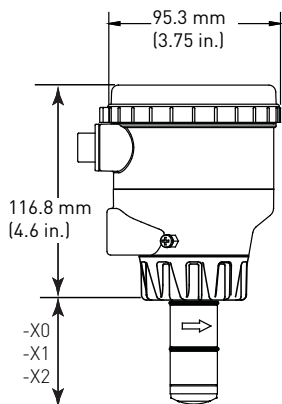
Blind Version



Pipe Range
 1/2 to 4 in. -X0 = 58 mm (2.3 in.)
 5 to 8 in. -X1 = 91 mm (3.6 in.)
 10 to 12 in. -X2 = 167 mm (6.6 in.)

X = Sensor Body P, T, V, or W

Display Version



Pipe Range
 1/2 to 4 in. -X0 = 58 mm (2.3 in.)
 5 to 8 in. -X1 = 91 mm (3.6 in.)
 10 to 12 in. -X2 = 167 mm (6.6 in.)

X = Sensor Body P, T, V, or W

Specifications

General

Operating Range:
 0.05 to 10 m/s (0.15 to 33 ft/s)
 Pipe Size Range: DN15 to DN900
 (1/2 in. to 36 in.)
 Linearity: $\pm 1\%$ reading plus 0.01 m/s
 (0.033 ft/s)
 Repeatability: $\pm 0.5\%$ of reading @ 25 °C
 (77 °F)
 Minimum Conductivity: 20 $\mu\text{S/cm}$

Wetted Materials

Sensor body/Electrodes and Grounding ring:

- P0, -P1, -P2: PP/316L SS
- T0, -T1, -T2: PVDF/Titanium
- V0, -V1, -V2: PVDF/Hastelloy-C
- W0, -W1, -W2: PVDF/316L SS

O-rings:

- FPM (standard)
- EPR (EPDM), FPPM (optional)

Case: PBT

Display Window: Polyamide
 Protection Rating: NEMA 4X/IP65

Electrical

Power Requirements

- 4 to 20 mA: 24 VDC $\pm 10\%$, regulated, 22.1 mA max.
- Frequency: 5 to 24 VDC $\pm 10\%$, regulated, 15 mA max.
- Digital (S³L): 5 to 6.5 VDC, 15 mA max.
- Auxiliary (only required for units with relays): 9 to 24 VDC, 0.4 A max

Reverse polarity and short circuit protected

Current output (4 to 20 mA):

- Loop Accuracy: 32 μA max. error (25 °C @ 24 VDC)
- Isolation: Low voltage < 48 VAC/DC from electrodes and auxiliary power
- Maximum Cable: 300 m (1000 ft)
- Error condition: 22.1 mA
- Max. Loop Resistance: 300 Ω
- Compatible with PLC, PC or similar equipment
- 4 to 20 mA load needed

Frequency Output:

- Output Modes: Freq., or Mirror Relay (display version only)
- Max. Pull-up Voltage: 30 VDC
- Max. Current Sink: 50 mA, current limited
- Maximum Cable: 300 m (1000 ft)
- Compatible with Signet Model 5075, 5500, 5600, 8550, 8900

Digital (S³L) Output:

- Serial ASCII, TTL level 9600 bps
- Compatible with Model Signet 8900 controller

Relay Specifications

- #1, #2 Type: Mechanical SPDT
 Rating: 5 A @ 30 VDC max.,
 5 A @ 250 VDC max.
 - #3 Type: Solid State
 Rating: 50 mA @ 30 VDC,
 50 mA @ 42 VAC
- Hysteresis:
 User adjustable for exiting alarm condition
- Alarm On Trigger Delay:
 Adjustable (0 to 9999.9 sec.)

Relay Modes:

Off, Low, High, Window, and Proportional Pulse

Relay Source:

Flow Rate, Resettable Totalizer

Error Condition:

Selectable; Fail Open or Closed

Display

Characters: 2 x 16
 Contrast: User-set in four levels
 Backlighting (only on relay versions):
 Requires external 9-24 VDC,
 0.4 mA max.

Max. Temperature/Pressure Rating

Storage Temperature:
 -20 °C to 70 °C (-4 °F to 158 °F)

Relative Humidity:
 0 to 95% (non-condensing)

Operating Temperature:

- Ambient: -10 °C to 70 °C
 (14 °F to 158 °F)
- Media: 0 °C to 85 °C
 (32 °F to 185 °F)

Maximum Operating Pressure:
 10.3 bar @ 25 °C (150 psi @ 77 °F)
 1.4 bar @ 85 °C (20 psi @ 185 °F)

See Temperature and Pressure Graphs for more information

Standards and Approvals

- CE
- UL, CUL (for display versions with relays)
- NEMA 4X / IP65 Enclosure (with cap installed)
- U.S. Patent No. 7,055,396 B1