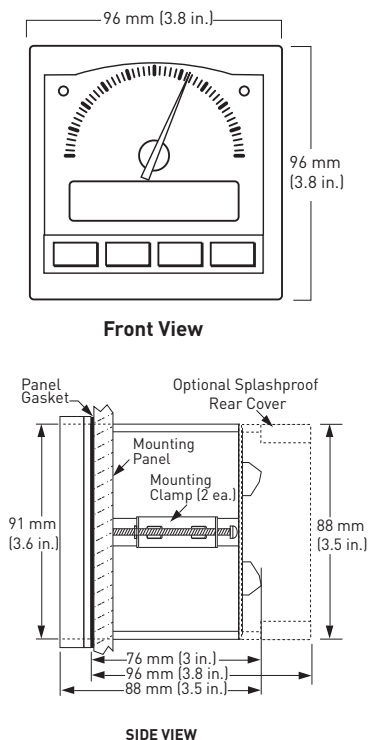


Dimensions



Specifications

General

- Operating Range: 0.5 Hz to 10kHz
 Accuracy: $\pm 0.5\%$ of reading
 Display:
- Analog: Six slide-in dial ranges - 0 to 2, 4, 6, 8, 10 & 100 w/multipliers
 - Digital: Backlit LCD, 2x16 alphanumeric character
 - Additional Functions: Sensor pulse output, volumetric auxiliary pulse output, remote totalizer reset

Electrical (continued)

- Loop Impedance: 350 Ω max. @ 12 V
950 Ω max. @ 24 V
 - Accuracy: $\pm 0.1\%$
 - Update Rate: 100 msec
- Alarm Contacts:
- Two SPDT relays: High/Low/Pulse programmable with adj. hysteresis for exiting alarm condition
5 A @ 30 VDC
5 A @ 125 VAC
3 A @ 250 VAC max.

Materials

- Enclosure: ABS Plastic
- Keypad: Silicone Rubber
- Panel and case gasket: Neoprene
- Window: Hard-coated polycarbonate

Environmental

- Operating Temperature: -10 °C to 55 °C (14 °F to 131 °F)
 Relative Humidity: 0 to 95%, non-condensing
 Enclosure: NEMA 4X/IP65 front

Electrical

- Power Requirements:
 12 to 24 VAC or DC $\pm 10\%$, regulated recommended, 50 to 60 Hz, 10W max.
- Current Output:
- 4 to 20 mA, non-isolated, active, internally powered

Shipping Weight 0.8 kg 1.8 lb

Standards and Approvals

- UL, CE, CUL
- Manufactured under ISO 9001 for Quality and ISO 14001 for Environmental Management

Ordering Information

Mfr. Part No	Code	Description
3-5500	198 825 002	5500 Flow Monitor

Model 5500

Ordering Notes

- 1) Panel cutout should be 92 x 92 mm (3.62 x 3.62 in.)
- 2) Reversible dials are included and are scaled from 0 to 2, 0 to 4, 0 to 6, 0 to 8, 0 to 10, and 0 to 100.
- 3) An optional splash proof rear cover can be ordered separately if needed.
- 4) Flow rate unit tags are provided for labeling dials appropriately in units of gpm, lpm, etc.

Please refer to Wiring, Installation, and Accessories sections for more information.

Accessories and Replacement Parts

Mfr. Part No	Code	Description
Mounting		
3-5000.395	198 840 227	Splashproof rear cover kit
3-5000.399	198 840 224	5 x 5 inch adapter plate to retrofit older Signet installations
3-5000.598	198 840 225	Surface mount bracket (panel mount only)
3-0000.596	198 000 641	Heavy duty wall mount bracket (panel mount only)
Liquid Tight Connectors		
3-9000.392	159 000 368	Liquid tight connector kit (includes 3 connectors)
3-9000.392-1	159 000 839	Liquid tight connector kit, NPT (1 connector)
3-9000.392-2	159 000 841	Liquid tight connector kit, PG 13.5 (1 connector)
Replacement Parts		
3-5000.390	159 000 323	Installation kit (ProPoint® screws, clamps, mounting brackets)
3-5000.525-1	198 840 226	Bezel, 5000 series
3-5500.390	159 000 347	Dial kit
3-5500.611	198 840 230	Unit tags
3-5000.397	159 000 326	5000 series window (window, keypad, & screws)
Other		
3-5000.398	159 000 646	Protective overlay kit (10 pcs.)
3-5000.075	159 000 321	110V/24 VAC transformer
3-8050.396	159 000 617	RC filter kit (for relay use)