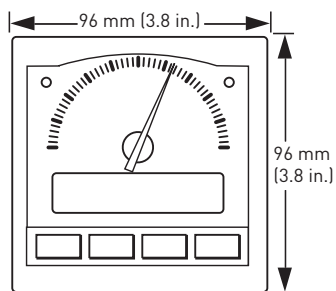
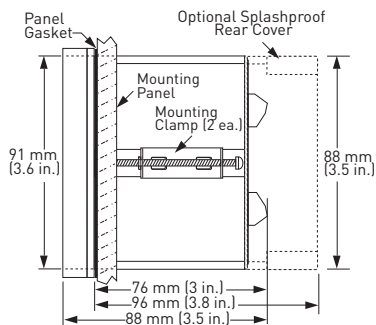


## Dimensions



Front View



SIDE VIEW

## Specifications

### General

- Operating Range:  
0.5 Hz to 10 kHz, optically isolated
- Accuracy:  $\pm 0.5\%$  of reading
- Display:
- Analog:  
Reversible dial - 0 to 100% or 100 to 0%
  - Digital:  
Backlit LCD, 2 x 16 alphanumeric character
  - Batch Size:  
0 to 999,999 engineering units
  - Dual Totalizer: 8-digit resettable and non-resettable
  - Additional Functions:  
End of batch pulse, remote start, stop & resume. Batch in progress. Batch completion, valve control or end of batch
  - Option:  
Two-stage shutdown, overrun alarm, end of batch, or missing signal alarm

### Materials

- Enclosure: ABS Plastic
- Keypad: Silicone Rubber
- Panel and case gasket: Neoprene
- Window: Hard-coated polycarbonate

### Electrical

- Power Requirements:  
12 to 24 VAC or DC  $\pm 10\%$ , regulated recommended, 50 to 60 Hz, 10W max.
- Current Output
- 4 to 20 mA, non-isolated, active, internally powered
  - Loop Impedance:  
350  $\Omega$  max. @ 12 V  
950  $\Omega$  max. @ 24 V
  - Accuracy:  $\pm 0.1\%$
- Alarm Contacts
- Two SPDT relays:  
5 A @ 30 VDC  
5 A @ 125 VAC  
3 A @ 250 VAC max.

### Environmental

- Operating Temperature:  
-10 °C to 55 °C (14 °F to 131 °F)
- Relative Humidity:  
0 to 95%, non-condensing
- Enclosure: NEMA 4X/IP65

**Shipping Weight** 0.8 kg 1.8 lb

### Standards and Approvals

- CE, UL, CUL
- Manufactured under ISO 9001 for Quality and ISO 14001 for Environmental Management

## Ordering Information

Mfr. Part No	Code	Description
3-5600	<b>198 825 006</b>	Batch Controller

## Accessories and Replacement Parts

Mfr. Part No.	Code	Description
<b>Mounting</b>		
3-5000.395	<b>198 840 227</b>	Splashproof rear cover kit
3-5000.399	<b>198 840 224</b>	5 x 5 inch adapter plate to retrofit older Signet installations
3-5000.598	<b>198 840 225</b>	Surface mount bracket (panel mount only)
3-0000.596	<b>159 000 641</b>	Heavy duty wall mount bracket (panel mount only)
<b>Liquid Tight Connectors</b>		
3-9000.392	<b>159 000 368</b>	Liquid tight connector kit for rear cover (includes 3 connectors)
3-9000.392-1	<b>159 000 839</b>	Liquid tight connector kit, NPT (1 connector)
3-9000.392-2	<b>159 000 841</b>	Liquid tight connector kit, PG 13.5 (1 connector)
<b>Replacement Parts</b>		
3-5000.390	<b>159 000 323</b>	Installation kit (ProPoint® screws, clamps, and mounting brackets)
3-5000.397	<b>159 000 326</b>	5000 series window kit (window, keypad, & screw)
3-5000.525-1	<b>198 840 226</b>	Bezel, 5000 series
3-5600.360	<b>159 000 887</b>	Replacement dial
3-5500.611	<b>198 840 230</b>	Unit tags
<b>Other</b>		
3-5000.398	<b>159 000 646</b>	Protective overlay kit (10 pcs.)
3-5000.075	<b>159 000 321</b>	110V/24 VAC transformer
3-8050.396	<b>159 000 617</b>	RC filter kit (for relay use)

### Model 5600

#### Ordering Notes

- 1) Panel cutout should be 92 x 92 mm (3.62 x 3.62 in.)
- 2) A reversible dial is included and is scaled from 0 to 100 and 100 to 0.
- 3) An optional splash proof rear cover can be ordered separately if needed.

Please refer to **Wiring, Installation, and Accessories** sections for more information.