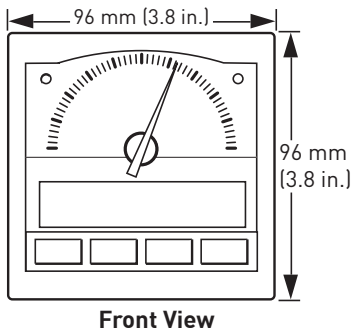
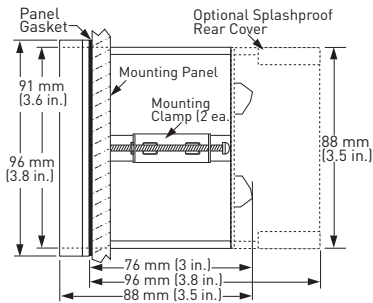


Dimensions



Front View



Side View

Model 5800CR

Ordering Notes

- 1) Panel cutout should be 92 x 92 mm (3.62 x 3.62 in.)
- 2) Reversible dials are included and are scaled from 0 to 2, 0 to 4, 0 to 6, 0 to 8, 0 to 10, and 0 to 100.
- 3) An optional splash proof rear cover can be ordered separately if needed.
- 4) Unit tags are provided for labeling dials.
- 5) Use RC filter kits to protect relays from voltage spikes.

Please refer to **Wiring, Installation, and Accessories** sections for more information.

Specifications

General

Operating Range:

- Conductivity: 0.055 to 400,000 $\mu\text{S}/\text{cm}$
- Resistivity: 10 $\text{k}\Omega\cdot\text{cm}$ to 18.2 $\text{M}\Omega\cdot\text{cm}$ (0.055 to 100 $\mu\text{S}/\text{cm}$)

Solution temperature must be greater than 20 °C for Resistivity above 10 $\text{M}\Omega\cdot\text{cm}$

- Temperature: 0 °C to 100 °C (32 °F to 212 °F) using PT1000

Display

- Analog: Reversible dials: 0 to 2, 4, 6, 8, 10 and 100
- Digital: Backlit LCD, 2x16 alpha-numeric character

Materials

- Enclosure: ABS Plastic
- Keypad: Silicone Rubber
- Panel and case gasket: Neoprene
- Window: Hard-coated polycarbonate

Electrical

Power Requirements:

12 to 24 VAC or VDC $\pm 10\%$, regulated recommended, 50 to 60 Hz, 10W max.

Current Output

- 4 to 20 mA, non-isolated, active, internally powered
- Loop Impedance: 350 Ω max. @ 12V
950 Ω max. @ 24V
- Accuracy: $\pm 0.1\%$

Electrical (continued)

Alarm Contacts:

- Two SPDT relays: 5A @ 30 VDC, 5 A @ 125 VAC, or 3A @ 250 VAC max.
- High/low/pulse programmable with adjustable hysteresis

Environmental

Operating Temperature:

-10 °C to 55 °C (14 °F to 131 °F)

Relative Humidity:

0 to 95%, non-condensing

Enclosure: NEMA 4X/IP65 front

Shipping Weight 0.8 kg 1.76 lb

Standards and Approvals

- CE, UL, CUL
- Manufactured under ISO 9001 for Quality & ISO 14001 for Environmental Management

Conductivity/
Resistivity

Ordering Information

Mfr. Part No.	Code	Description
3-5800CR	198 825 005	Conductivity/Resistivity Monitor

Accessories and Replacement Parts

Mfr. Part No.	Code	Description
Mounting		
3-5000.395	198 840 227	Splashproof rear cover kit
3-5000.598	198 840 225	Surface mount bracket (panel mount only)
3-0000.596	159 000 641	Heavy duty wall mount bracket (panel mount only)
3-5000.399	198 840 224	5 x 5 inch adapter plate to retrofit older Signet installation
3-8050.392	159 000 640	¼ DIN retrofit adapter
Liquid Tight Connectors		
3-9000.392	159 000 368	Liquid tight connector kit for rear cover (3 connectors)
3-9000.392-1	159 000 839	Liquid tight connector kit, NPT (1 connector)
3-9000.392-2	159 000 841	Liquid tight connector kit PG 13.5 (1 connector)
Replacement Parts		
3-5000.390	159 000 323	Installation kit
3-5000.525-1	198 840 226	Bezel, 5000 series
3-5500.390	159 000 347	Dial kit
3-5500.611	198 840 230	Unit tags
3-5000.397	159 000 326	5000 series window (window, keypad, and screws)
Other		
3-5000.398	159 000 646	Protective overlay kit (10 pcs)
3-8050.396	159 000 617	RC filter kit (for relay use), 2 per kit