

Signet 8059 External Relay Module



3-8059.090 Rev. E 3/06 English

Table of Contents

1. Description
2. Specifications
3. Installation
4. Power
5. Wiring
6. Operation
7. Relay Test
8. Ordering Information



WARNING!

- Remove power to unit before wiring input and output connections.
- Do not alter product construction.
- This product should only be used for the purposes and in the manner described in this manual.
- This unit must be installed on a DIN rail.

1. Description

Signet 8059 External Relay Modules supplement the output capabilities of certain host instruments such as Signet 8250 Level Transmitters. AC-powered versions accept universal line voltage, and also provide 24 VDC output that can be used to power the host instrument or other device(s). The host instrument controls relay operation by way of a single S³L™ connection. The compact plastic housing is DIN rail mountable and includes LED annunciators for each relay, plus one each for power-on and data transfer or test mode.

2. Specifications

Input:	S ³ L™ (Signet Sensor Serial Link) via host instrument
Enclosure	
Material:	Noryl® UL 94 V-O
Type:	DIN rail mountable
Electrical connection:	Standard screw-type terminals
Shipping weight:	0.37 kg (0.8 lb.)
Power	
8059-2AC, 8059-4AC:	100-240 VAC ± 10%, 50/60 Hz, 20VA
8059-2, 8059-4:	12 to 24 VDC, 100 mA
	Add current requirements for external equipment if using DC output
DC output	
8059-2AC, 8059-4AC:	24 VDC regulated, 300 mA max
8059-2, 8059-4:	Pass-through (Input DC less 0.7 VDC) (12 VDC in =11.3 VDC out)
Isolation:	>5000 Vrms

Relays

Type	SPDT 250VAC/30VDC @ 5A
Resolution:	2 ms
Response time:	< 100 ms
Annunciators:	Red LED, 1 per relay
Maximum cable:	400 ft. total S ³ L wiring

Environmental

Ambient temperature	
• Storage:	-20 to 85°C
• Operating:	-10 to 55°C
Relative humidity:	0 to 90% (non-condensing)
Maximum altitude:	2000 m (6500 ft)
Insulation category:	II
Pollution degree:	2

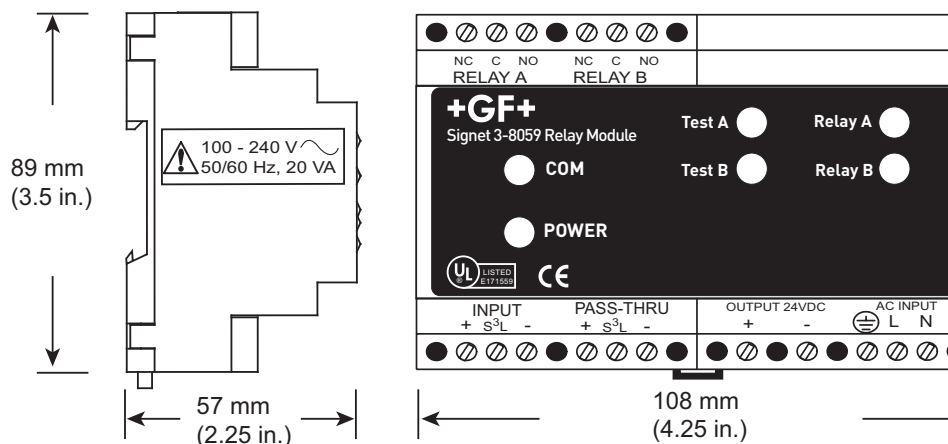
Standards and approvals

- CE, UL listed
- Immunity: EN50082-2
- Emissions: EN50081-2
- Safety: EN61010
- Manufactured under ISO 9001 and ISO 14001

Noryl® is a registered trademark of GE Plastics

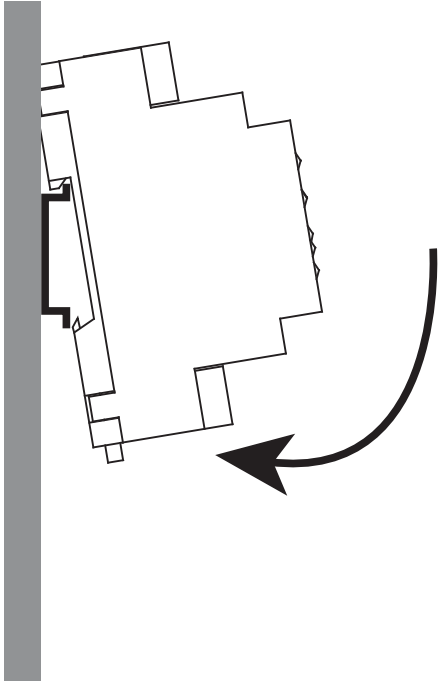
Dimensions

3-8059-2AC version is shown. External dimensions are identical for all versions.



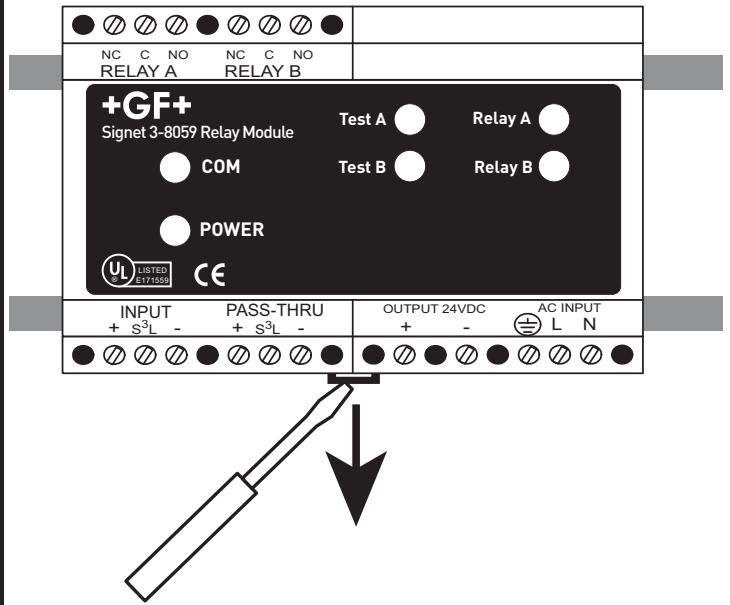
3. Installation

Tilt top of the 8059 to insert under top DIN rail, then press bottom of 8059 until the locking pin snaps onto lower DIN rail.



Removal


Insert screwdriver into release mechanism on bottom of 8059. Pull down on release while lifting 8059 away from the DIN rail.



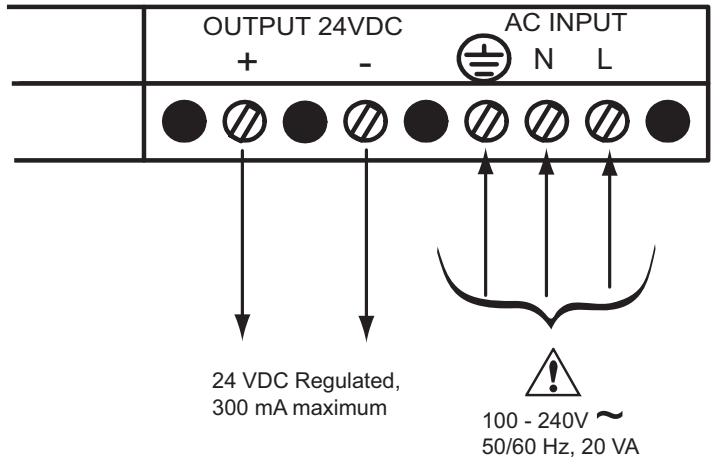
4. Power



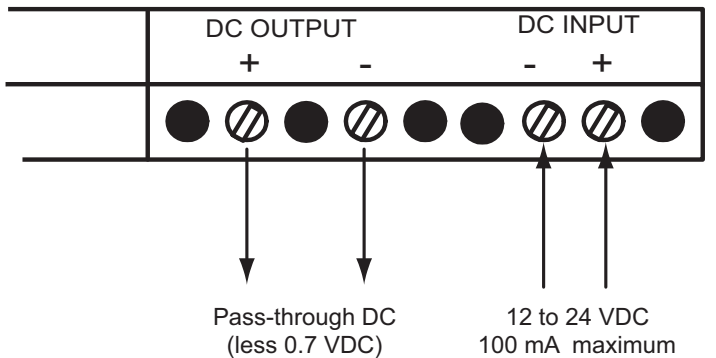
Warning

- This unit must be installed inside a protected panel.
- Always connect  to earth ground.
- Disconnect power before wiring.
- Do not install where persons may inadvertently come in physical contact with the terminals.
- Include protection devices in the power system in case of power supply malfunction. A very high voltage may occur at output terminals during failure.
- Do not touch immediately after removing power. Some surface areas may be very hot.
- Do not exceed temperature specifications.
- Do not store or operate the AC power supply in any environment subjected to vibrations or shock.

AC Power terminals



DC Power terminals



6. Operation

Normal Operation:

- Green COM light flickering rapidly.
- Both relays are controlled by the host instrument.

Indicator lights

DATA	Lighted when S ³ L serial data is transmitted, or when a relay is in TEST mode.
POWER	Lighted when 8059 input power is connected
Relay A	Lighted when Relay A is energized
Relay B	Lighted when Relay B is energized
Relay C	Lighted when Relay C is energized
Relay D	Lighted when Relay D is energized

Test Buttons

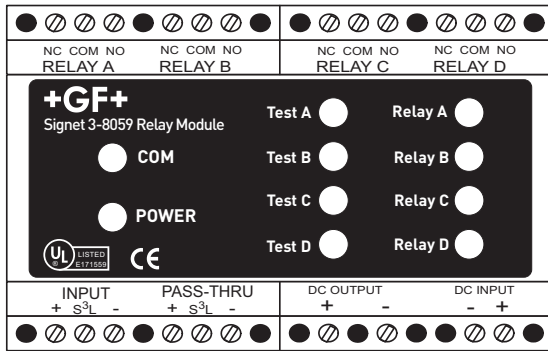
Test A	Press to manually control Relay A
Test B	Press to manually control Relay B
Test C	Press to manually control Relay C
Test D	Press to manually control Relay D

Relays

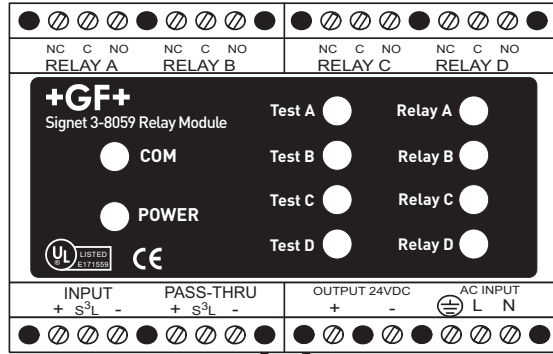
The 250V/5A dry-contact relays are controlled via the serial connection to the instrument. Use NO (normally open), COM (common) and NC (normally closed) to control external equipment.

S³L Terminals

- Connect "input" directly to the S³L instrument
- Connect a S³L sensor to "pass-thru" for convenience



8059-4



8059-4AC

7. Relay Test

Action:		8059 response:
Press and hold TEST button for 5 seconds (until green DATA light begins to blink slowly)		<ul style="list-style-type: none"> • The selected relay is now controlled by the TEST button. • Pressing the other relay TEST button has no effect.
Momentarily press TEST button to toggle relay.		<ul style="list-style-type: none"> • The red RELAY light will toggle to indicate relay condition.

To return relay to Normal Operation:		
Press and hold the TEST button for 5 seconds (until green DATA light begins to flicker rapidly)		<ul style="list-style-type: none"> • The relay returns to active status, controlled by the host instrument.
Note: The 8059 will automatically return to normal operation if no buttons are pressed for 5 minutes.		

8. Ordering Information

3-8059-2	159 000 770	External 2-Relay Module
3-8059-2AC	159 000 771	External 2-Relay Module with power supply
3-8059-4	159 000 772	External 4-Relay Module
3-8059-4AC	159 000 773	External 4-Relay Module with power supply
3-8050.396	159 000 617	RC Filter Kit
6205-0002	159 000 858	DIN Rail, 1m
6205-0003	159 000 859	End Clips, DIN Rail

+GF+

George Fischer Signet, Inc. 3401 Aerojet Avenue, El Monte, CA 91731-2882 U.S.A. • Tel. (626) 571-2770 • Fax (626) 573-2057
For Worldwide Sales and Service, visit our website: www.gfsignet.com • Or call (in the U.S.): (800) 854-4090

